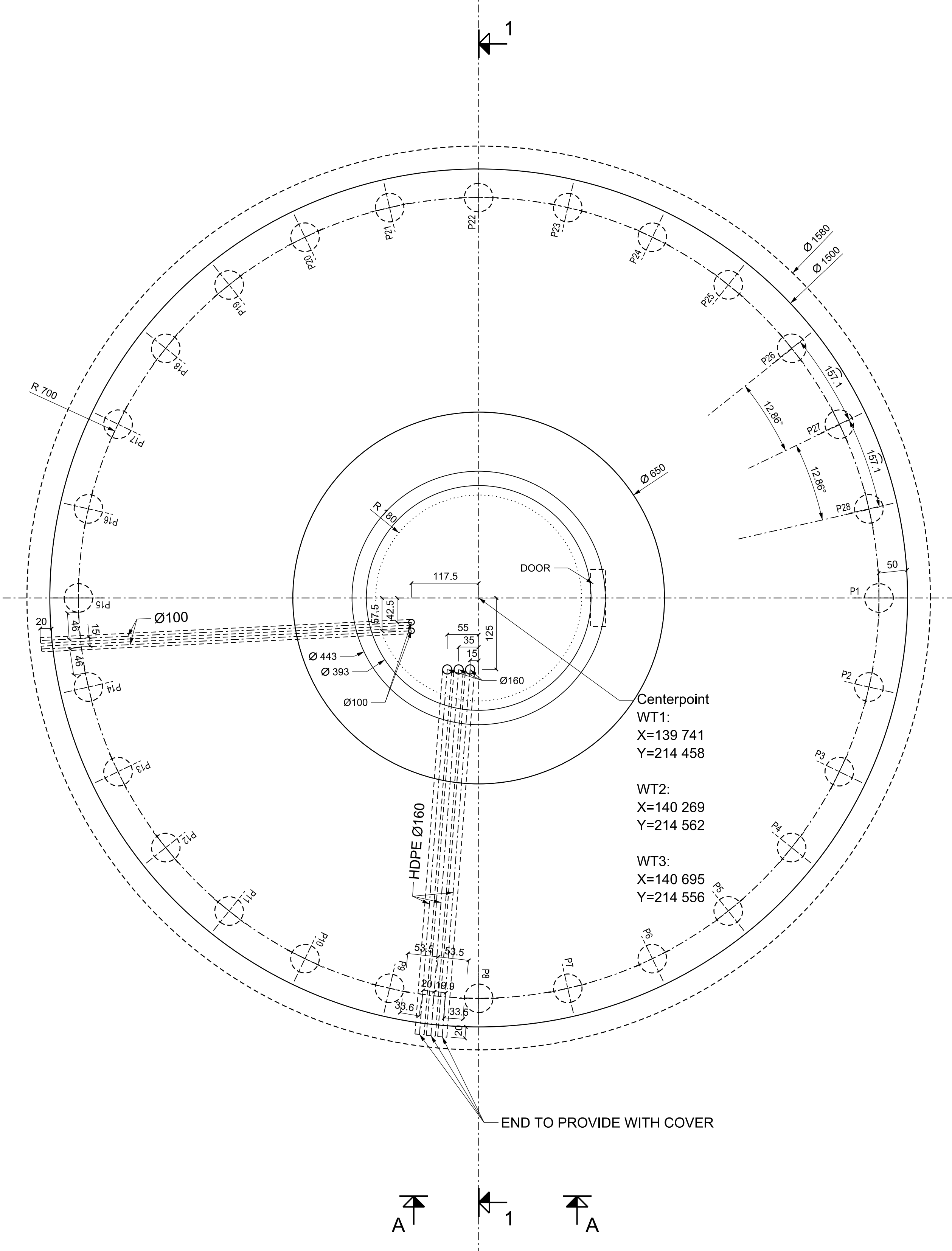
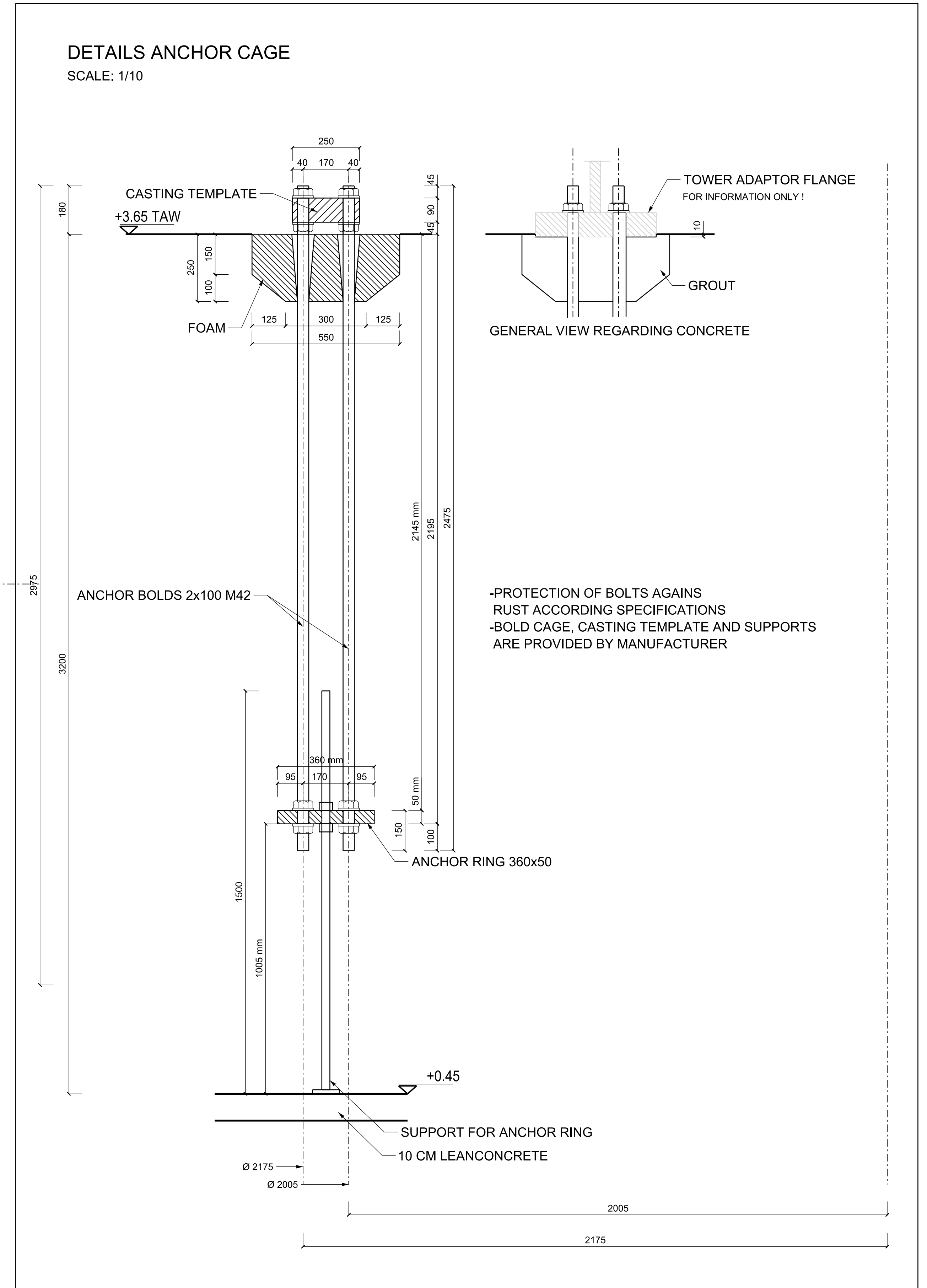


PLAN VIEW  
SCALE: 1/50



DETAILS ANCHOR CAGE  
SCALE: 1/10



**PILE REACTIONS (AT BOTTOM SLAB) According EC7**

-TENSION : 662 kN (DA1/1) / 435 (DA1/2)  
-PRESSURE : 1797 kN (DA1/1) / 1410 (DA1/2)

**PILES TO BE CUT OFF AT LEVEL +0.50 TAW**

**NOTES**

- CONCRETE CLASS FOUNDATION : C35/45
- CONCRETE CLASS PILES : C30/37
- EXPOSURE CLASS : EE3
- POURING IN 1 PHASE
- ALL DIMENSIONS IN cm / DETAILS ANCHOR CAGE IN mm
- GROUT GRADE : C90/105

NO					
B	28/01/2016	NEW SPECIFICATIONS	CRE	WVA	JIC
	17/07/2015	EERSTE UITGAVE	CRE	WVA	JIC
INDEX	DATUM	WISDOPINGEN	GETEKEND	NAAMEN	SOEDORKELEID

**OOST-VLAANDEREN**

**BEVEREN**

**WIND4FLANDERS**

**WINDFARM BEVEREN**

**FOUNDATION-FORMWORK**

PROJECTNAMME	PI 007497	SCHAAL	1/50
MAATSCHAPPELIJKE	SI 12200	FORMAAT	A0
CONTOUR	CONTOUR	DATE	17/07/2015
CONTOUR	CONTOUR	CONTOUR	CONTOUR

**TECHNUM**  
SMART & SUSTAINABLE INFRASTRUCTURE

ANTOON HASSAET  
Tel. +32 11 78 60 00 - Fax +32 11 28 86 28  
www.technum.be